

HRD STLM 3N | 3-AXLE | SLIDING RAMPS | STEER & LIFT AXLE

COMMON

ID	113928-2
Marque	HRD
Chassis	Semi surbaissé

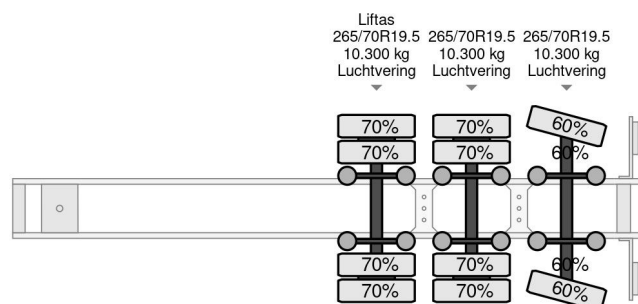
PROPERTIES

Année de construction	2020
Date première immatriculation	21-10-2020
Numéro d'identification véhicule	W09STLM3NKEN10117
Poids à vide	10.890 kg
Poids de la charge	40.010 kg
Poids maximum	50.900 kg
Longueur	1.385 cm
Largeur	254 cm



HRD STLM 3N | 3-AXLE | SLIDING RAMPS | STEER & LIFT...

Referentienummer: 113928-2



ACCESSOIRES

DESCRIPTION

For sale:

Make and model: HRD STLM 3N
 First registration: 21-10-2020
 VIN: W09STLM3NKEN10117
 Construction: Semi-trailer
 GVW: 50.900 kg
 Empty weight: 10.890 kg
 Loading capacity: 40.010 kg

Dimensions:
 Length: 13.85 m
 Width: 2.54 m
 Extended width: 3 m
 Neck: 4.5 m
 Neck height: 1.50 m
 Bed: 8.85 m
 Floor height: 95 m
 Width extensions: 46 cm
 Ramp length: 4.33 m

1st Axle: Air | 10.300 kg | 265/70R19.5 70%
2nd Axle: Air | 10.300 kg | 265/70R19.5 70%
3rd Axle: Air | 10.300 kg | 265/70R19.5 5 60%

General specifications:
Hydraulic sliding ramps
1st axle lifting
3rd axle steering
Brand axles: SAF
ABS/EBS
Width extensions
LED working lights
LED taillights
Wood floor
Aluminium boards
Toolboxes
NATO connector

Of course, we have more pictures and information available,
and we are looking forward to helping you.