

## HRD STLM 3N | 3-AXLE | SLIDING RAMPS | STEER & LIFT AXLE

### COMMON

ID	113928-1
Marque	HRD
Chassis	Semi surbaissé

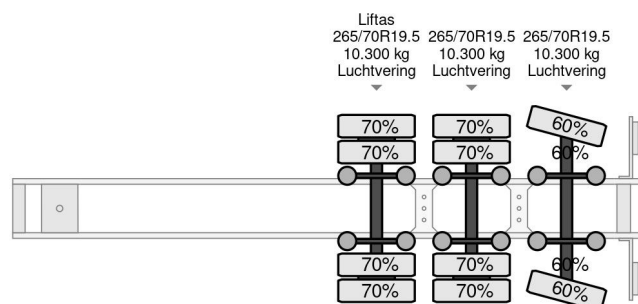
### PROPERTIES

Année de construction	2020
Date première immatriculation	21-10-2020
Numéro d'identification véhicule	W09STLM3NKEN10117
Poids à vide	10.890 kg
Poids de la charge	40.010 kg
Poids maximum	50.900 kg
Longueur	1.385 cm
Largeur	254 cm



HRD STLM 3N | 3-AXLE | SLIDING RAMPS | STEER & LIFT...

Referentienummer: 113928-1



### ACCESSOIRES

### DESCRIPTION

For sale:

Make and model: HRD STLM 3N  
 First registration: 21-10-2020  
 VIN: W09STLM3NKEN10117  
 Construction: Semi-trailer  
 GVW: 50.900 kg  
 Empty weight: 10.890 kg  
 Loading capacity: 40.010 kg

Dimensions:  
 Length: 13.85 m  
 Width: 2.54 m  
 Extended width: 3 m  
 Neck: 4.5 m  
 Neck height: 1.50 m  
 Bed: 8.85 m  
 Floor height: 95 m  
 Width extensions: 46 cm  
 Ramp length: 4.33 m

1st Axle: Air | 10.300 kg | 265/70R19.5 70%  
2nd Axle: Air | 10.300 kg | 265/70R19.5 70%  
3rd Axle: Air | 10.300 kg | 265/70R19.5 5 60%

General specifications:  
Hydraulic sliding ramps  
1st axle lifting  
3rd axle steering  
Brand axles: SAF  
ABS/EBS  
Width extensions  
LED working lights  
LED taillights  
Wood floor  
Aluminium boards  
Toolboxes  
NATO connector

Of course, we have more pictures and information available,  
and we are looking forward to helping you.