

EMOSS 2728 | 6X2*4 | NORBA 21M3 | ELECTRIC | FULL EMOSS CHECK

COMMON

ID	114053
Marque	EMOSS
Chassis	Camion d'enlèvement des ordures ménagères

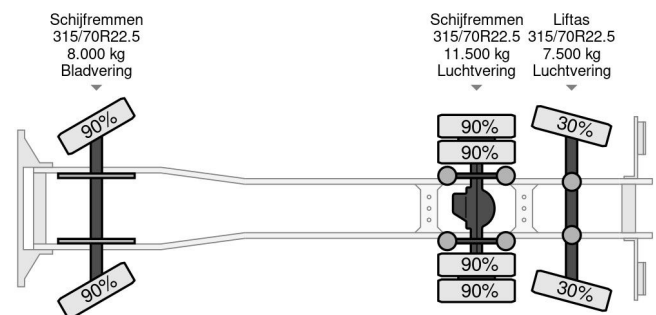
PROPERTIES

Année de construction	2019
Classe d'émission	6
Kilométrage	34.382 km
Date première immatriculation	12-09-2019
Plaque d'immatriculation	37-BNT-8
Numéro d'identification véhicule	XLRASM4700G267542
Configuration des essieux	6x2
Poids à vide	16.795 kg
Poids de la charge	10.205 kg
Poids maximum	27.000 kg
Empattement	520



EMOSS 2728 | 6X2*4 | NORBA 21M3 | ELECTRIC | FULL E...

Referentienummer: 114053



ACCESSOIRES

- Assistant de maintien de voie
- Automatique
- Bluetooth
- Caméra de recul
- Climatisation
- Ordinateur de bord
- Pare-soleil
- Phare arrière
- Phare de travail arriere
- Phare de travail avant
- Prise de force
- Régulateur de vitesse
- Sièges à suspension pneumatique

DESCRIPTION

For sale:

Full EMOSS inspection rapport available.
This electric garbage truck is in excellent condition!
Big service performed by EMOSS before sale.

Make: EMOSS / DAF 2728 FULL ELECTRIC
Wheel formula: 6x2*4
First registration: 12-09-2019
VIN: XLRASM4700G267542
Mileage: 34.382 km
Construction: Garbage truck
Wheelbase: 380 mm
GVW: 27.000 kg
Empty weight: 16.820 kg
Loading capacity: 10.150 kg

Engine:
Full electric
Power: 350 kW / 476 hp
Range: 150 km

Suspension / Weights/ Tyres:

1st Axle: Steel | 8.000 kg | 315/70R22.5 90%

2nd Axle: Air | 11.500 kg | 315/70R22.5 90%

3rd Axle: Air | 7.500 kg | 315/70R22.5 30%

Extra options:

PTO

Hydraulic system

Engine brake

Flashlights

LED working lights

Weight system

Charging cable

Steering and lifting 3rd axle

Cabin:

Day cabin

Leather seats

Climate control / Airco

Radio

Cruise control