

## Scania | 8X4 | RETARDER | BIG AXLES | FULL STEEL | EURO 6

### COMMON

ID	114016
Make	Scania
Construction	Tipper
Model	R500 NGS

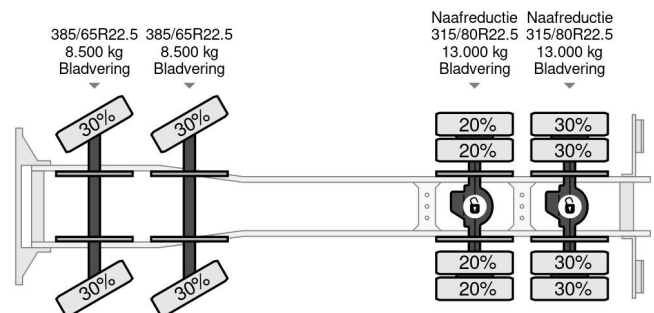
### PROPERTIES

Year	2019
Emissionclass	6
Mileage	258.234 km
First registration date	24-07-2019
Vehicle identification number	YS2R8X40005549329
Axle configuration	8x4
Weight	16.190 kg
Load capacity	26.735 kg
Gross weight	43.000 kg
Wheelbase	455



Scania R500 NGS | 8X4 | RETARDER | BIG AXLES | FULL ...

Referentienummer: 114016



### ACCESSORIES

- Air conditioning
- Air horn
- Air Suspension Seats
- Aluminium fuel tank
- Anti-lock braking system
- Automatic
- Bluetooth
- Climate control
- Coupling
- Cruise control
- Differential Lock
- Leaf spring suspension
- Leather interior
- Navigation system
- Onboard Computer
- PTO
- Retarder
- Spotlight front
- Spotlight rear
- Toolbox
- Vehicle heater
- Visor

### DESCRIPTION

For sale:

Make and model: Scania R500 NGS  
 Wheel formula: 8x4  
 First registration: 24-07-2019  
 VIN: YS2R8X40005549329  
 Mileage: 258.234 km  
 Construction: Kipper  
 Wheelbase: 4.55 m  
 GVW: 43.000 kg  
 CVW: 66.000 kg  
 Empty weight: 16.190 kg  
 Loading capacity: 26.735 kg

Engine:  
 Power: 368 KW / 500 HP  
 Cylinders: 6