

Scania | 8X4 | RETARDER | BIG AXLES | EURO 6

COMMON

| | |
|--------------|----------|
| ID | 114017 |
| Make | Scania |
| Construction | Tipper |
| Model | R500 NGS |

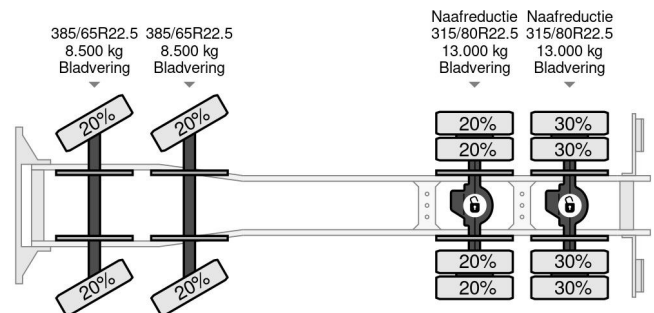
PROPERTIES

| | |
|-------------------------------|-------------------|
| Year | 2019 |
| Emissionclass | 6 |
| Mileage | 284.558 km |
| First registration date | 24-07-2019 |
| Vehicle identification number | YS2R8X40005549418 |
| Axle configuration | 8x4 |
| Weight | 15.860 kg |
| Load capacity | 27.065 kg |
| Gross weight | 42.998 kg |
| Wheelbase | 455 |



Scania R500 NGS | 8X4 | RETARDER | BIG AXLES | EURO 6

Referentienummer: 114017



ACCESSORIES

- Air conditioning • Air horn • Air Suspension Seats • Aluminium fuel tank • Anti-lock braking system • Automatic • Bluetooth • Cabin • Climate control • Coupling • Cruise control • Differential Lock • Leaf spring suspension • Leather interior • Navigation system • Onboard Computer • PTO • Retarder • Reversing camera • Roof spoiler • Rotating beacon • Sleeper cab • Spotlight front • Spotlight rear • Toolbox • Vehicle heater • Visor

DESCRIPTION

For sale:

Make and model: Scania R500 NGS
 Wheel formula: 8x4
 First registration: 24-07-2019
 VIN: YS2R8X40005549418
 Mileage: 284.559 km
 Construction: Kipper
 Wheelbase: 4.55 m
 GVW: 43.000 kg
 CVW: 66.000 kg
 Empty weight: 15.860 kg
 Loading capacity: 27.065 kg

Engine:
 Power: 368 KW / 500 HP
 Cylinders: 6