

MAN | RETARDER | MACHINE TRANSPORT | MASCHINEN

COMMON

ID	113907.01
Make	MAN
Construction	Car transporter
Model	TGX 35.560

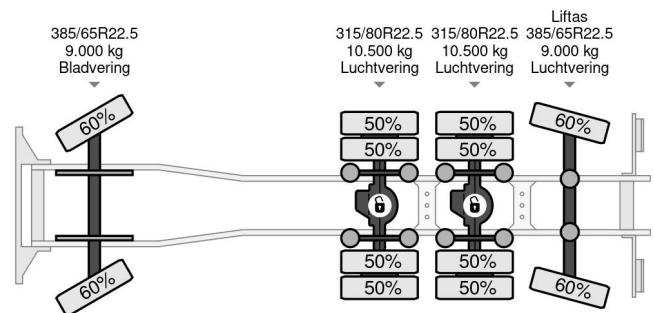
PROPERTIES

Year	2015
Emissionclass	6
Mileage	418.132 km
First registration date	12-05-2015
License plate	72-BTJ-2
Vehicle identification number	WMA92XZZ4FL071045
Axle configuration	8x4
Weight	13.560 kg
Load capacity	21.440 kg
Gross weight	35.000 kg
Wheelbase	420
Length	1.020 cm
Width	255 cm
Height	395 cm



MAN TGX 35.560 | RETARDER | MACHINE TRANSP... 8x4

Referentienummer: 113907.01



ACCESSORIES

- Air conditioning
- Air Suspension Seats
- Aluminium fuel tank
- Anti-lock braking system
- Automatic
- Bluetooth
- Cabin
- Climate control
- Cruise control
- Differential Lock
- Leather interior
- Navigation system
- Onboard Computer
- PTO
- Refrigerator
- Retarder
- Reversing camera
- Rotating beacon
- Spotlights
- Toolbox
- Trailer coupling
- Vehicle heater
- Visor

DESCRIPTION

For sale:

Make: MAN TGX35.560 8x4
 First registration: 12-05-2015
 VIN: WMA92XZZ4FL071045
 Mileage: 418.132 km
 Construction: Machine transporter
 Wheelbase: 420 cm
 GVW: 35.000 kg
 CVW: 76.000 kg
 Empty weight: 13.660 kg
 Loading capacity: 21.340 kg

Engine:
 Power: 412 kW / 560 HP
 Cylinders: 6
 Capacity: 15.256 ...