

## HRD STLM 3N | 3-AXLE | SLIDING RAMPS | STEER & LIFT AXLE

### COMMON

ID	113928-2
Make	HRD
Construction	Semi low loader

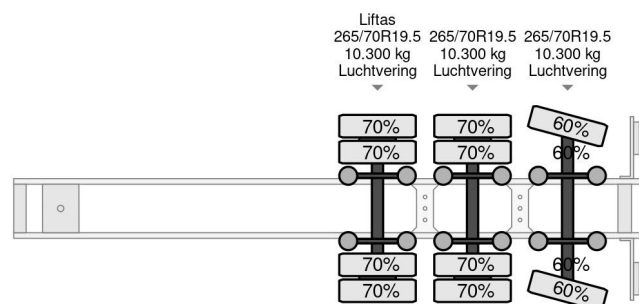
### PROPERTIES

Year	2020
First registration date	21-10-2020
Vehicle identification number	W09STLM3NKEN10117
Weight	10.890 kg
Load capacity	40.010 kg
Gross weight	50.900 kg
Length	1.385 cm
Width	254 cm



### HRD STLM 3N | 3-AXLE | SLIDING RAMPS | STEER & LIFT...

Referentienummer: 113928-2



### ACCESSORIES

- Extra steering axle

### DESCRIPTION

For sale:

Make and model: HRD STLM 3N  
 First registration: 21-10-2020  
 VIN: W09STLM3NKEN10117  
 Construction: Semi-trailer  
 GVW: 50.900 kg  
 Empty weight: 10.890 kg  
 Loading capacity: 40.010 kg

Dimensions:  
 Length: 13.85 m  
 Width: 2.54 m  
 Extended width: 3 m  
 Neck: 4.5 m  
 Neck height: 1.50 m  
 Bed: 8.85 m  
 Floor height: 95 m ...