

MAN | 6X2*4 | RETARDER | BDF | STEERING AXLE | EURO 6

COMMON

ID	114068
Marke	MAN
Konstruktion	BDF-System
Modell	TGX 26.640

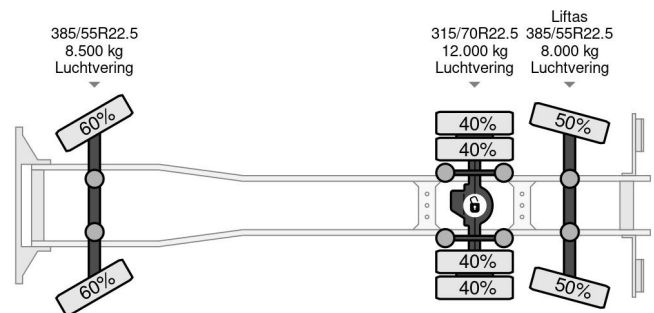
PROPERTIES

Baujahr	2018
Schadstoffklasse	6
Kilometerstand	531.047 km
Datum der Erstzulassung	30-07-2018
Fahrzeug-Identifizierungsnummer	WMA21XZZ9JM787446
Radformel	6x2
Gewicht	10.900 kg
Nutzlast	17.025 kg
Bruttogewicht	28.000 kg
Radstand	480



MAN TGX 26.640 | 6X2*4 | RETARDER | BDF | STEERING ...

Referenznummer: 114068



ZUBEHÖR

- Aluminium-Kraftstofftank • Antiblockiersystem • Automat
- Bluetooth • Bordcomputer • Dachspoiler •
- Differentialsperre • Fernlicht •
- Geschwindigkeitsregelanlage • Klimaanlage • Luftfederung
- Luftgefederte Sitze • Lufthorn • Navigationssystem •
- Rückwärtsfahrkamera • Sonnenschutzklappe •
- Standheizung • Werkzeugkasten • Zugmaul

BESCHREIBUNG

For sale

Make and model: MAN TGX 26.640
 Wheel formula: 6x2*4
 First registration: 30-07-2018
 VIN: WMA21XZZ9JM787446
 Mileage: 531.047 km
 Construction: BDF / Chassis
 Wheelbase: 4.80 m
 GVW: 28.000 kg
 CVW: 65.000 kg
 Empty weight: 10.900 kg
 Load capacity: 17.025 kg

Engine:
 Power: 471 kW / 640 HP
 Cylinders: 6
 Capacity: 15.256 cm3
 Emission standard: EURO 6

Gearbox: Automatic with retarder

2nd Axle: Air | 12.000 kg | 315/70R22.5 40%
3rd Axle: Air | 8.000 kg | 385/55R22.5 50%

General specifications:

Retarder
3rd axle lifting and steering
Differential locks
Engine brake
Ad blue
LED working lights
Trailer connection
Aluminium tank
Top bar with extra lights
Toolboxes

Cabin specifications:

XL with spoilers
Radio with navigation
Camera system
Leather steering wheel
Leather seats